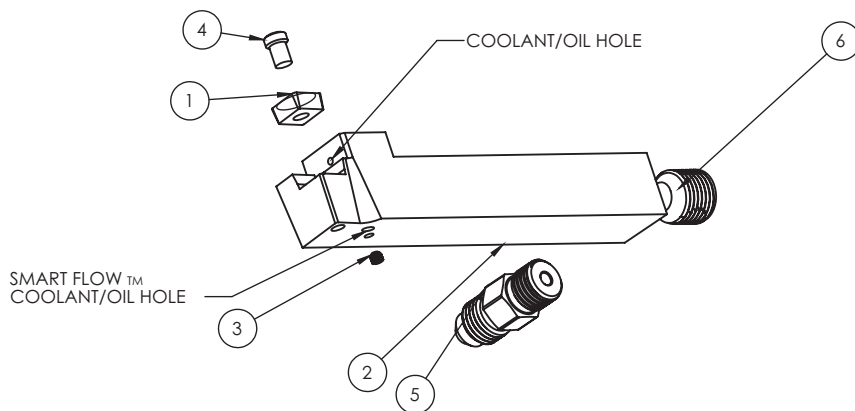


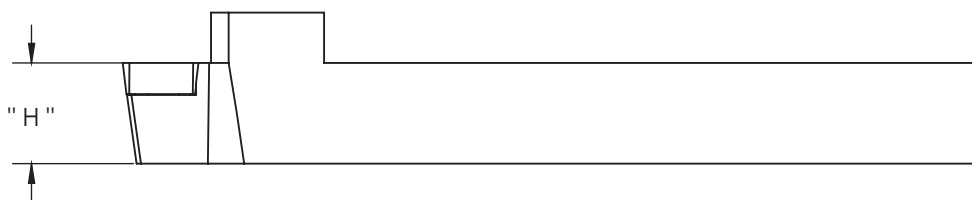
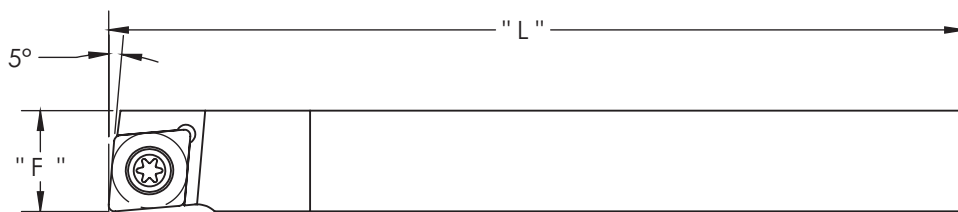
SMART FLOW™

SWISS STYLE HOLDER

SCLCR
 *Turning & Facing
 *Uses CCMT insert



Item No	Part Number	Part Description	Qty
1	see below	Insert (not included)	1
2	see below	Tool Holder	1
3	SW 4-40 SET SCREW	4-40 Set Screw / Plug	1
4	TS-4	M4 X .7	1
5	SW 1/8-27 FITTING	1/8-27 NPT-JIC 4	1
6	SW 1/8-27 PLUG	1/8-27 NPT Set Screw Plug	1



Catalog Number	Shank	L	F	H	Insert Screw	Insert	Price
		(over insert)	(over insert)	(over insert)			
SW-SCLCR 083C	0.5	4.25	0.5	0.5	TS-4	CCMT 32.52	\$150.00
SW-SCLCR 103C	0.625	4.25	0.625	0.625	TS-4	CCMT 32.52	\$160.00