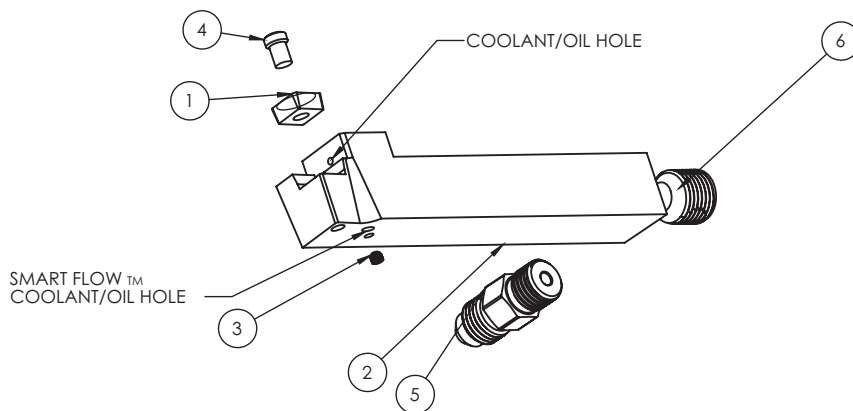
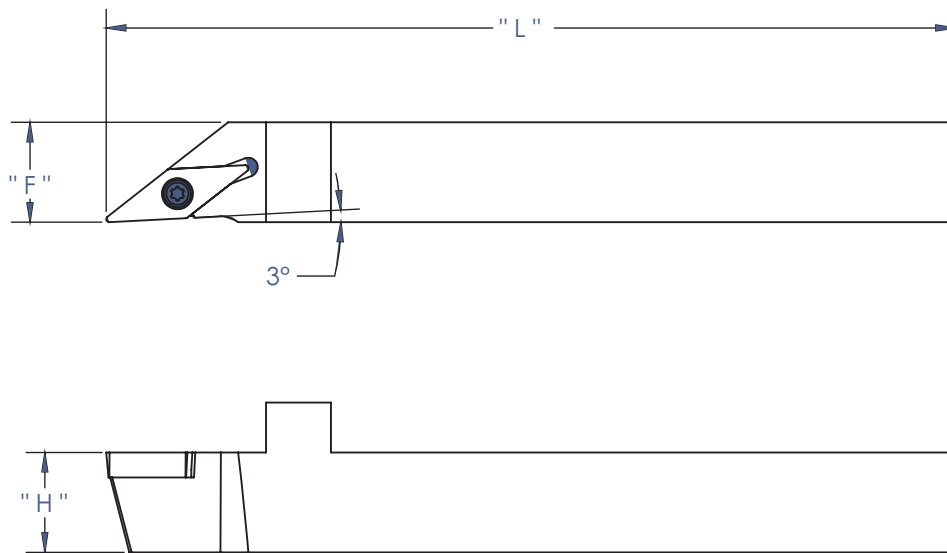


SVJBR
 *Turning & Profile
 *Uses VBMT insert



Item No	Part Number	Part Description	Qty
1	see below	Insert (not included)	1
2	see below	Tool Holder	1
3	SW 4-40 SET SCREW	4-40 Set Screw / Plug	1
4	MS-1153	M2.5 X .45	1
5	SW 1/8-27 FITTING	1/8-27 NPT-JIC 4	1
6	SW 1/8-27 PLUG	1/8-27 NPT Set Screw Plug	1



Catalog Number	Shank	L (over insert)	F (over insert)	H (over insert)	Insert Screw	Insert	Price
SW-SVJBR 082C	0.5	4.25	0.5	0.5	MS-1153	VBMT 221	\$150.00
SW-SVJBR 102C	0.625	4.25	0.625	0.625	MS-1153	VBMT 221	\$160.00